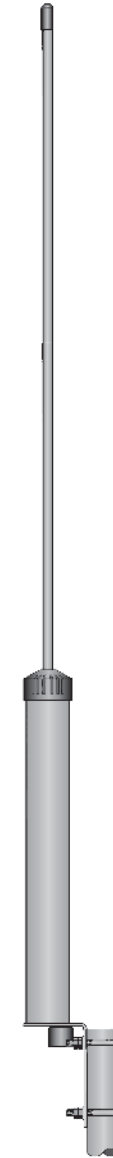
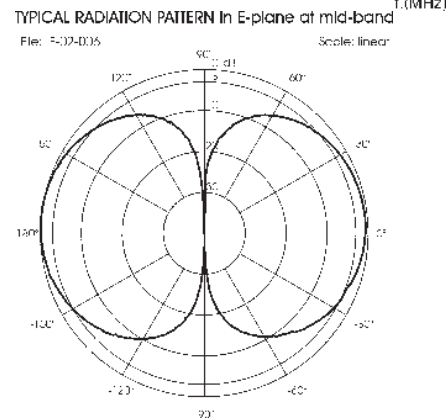
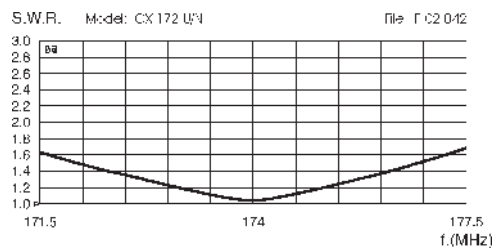
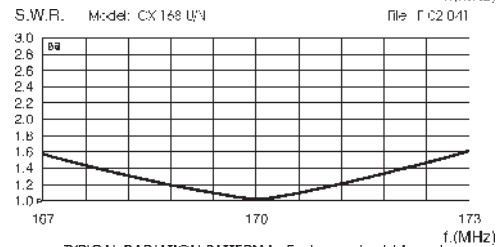
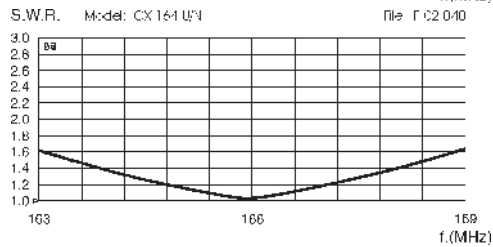
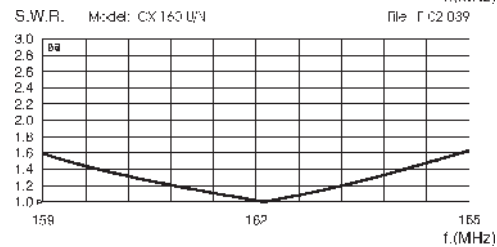
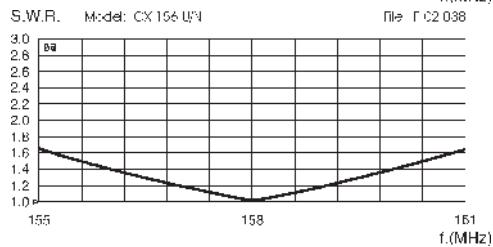
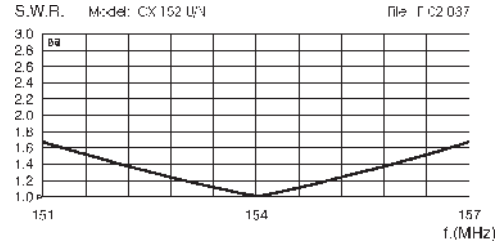
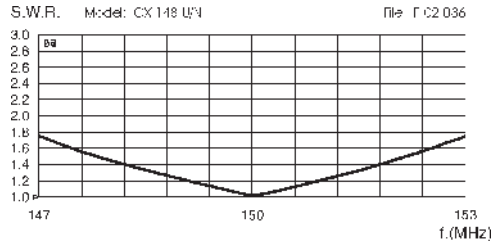
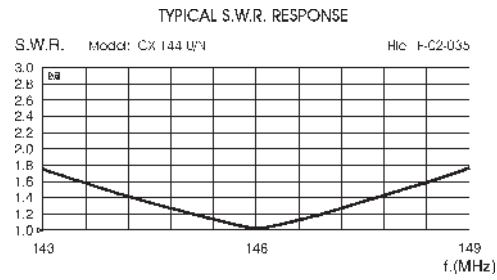
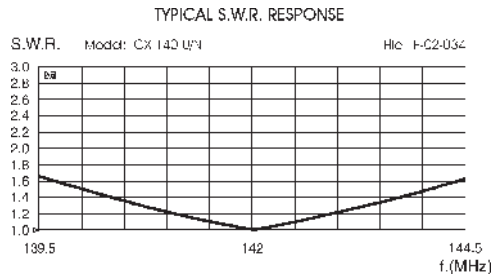


# CX 2m series

## VHF Base Station Antennas 140...176 MHz



## Installation Manual

## DESCRIPTION

3/4  $\lambda$  VHF antenna for base station service made of high quality materials to get the best performance and the maximum efficiency. It is completely manufactured with aluminium tubes and nylon for its great robustness and it is supplied with a solid steel bracket for an easy and safe installation. Its Gamma Match feed makes it earthed for a perfect protection against the static discharges. In the mentioned range of frequencies, adjustments are not required. Simple and strong it is particularly recommended for a professional use.

## SPECIFICATIONS

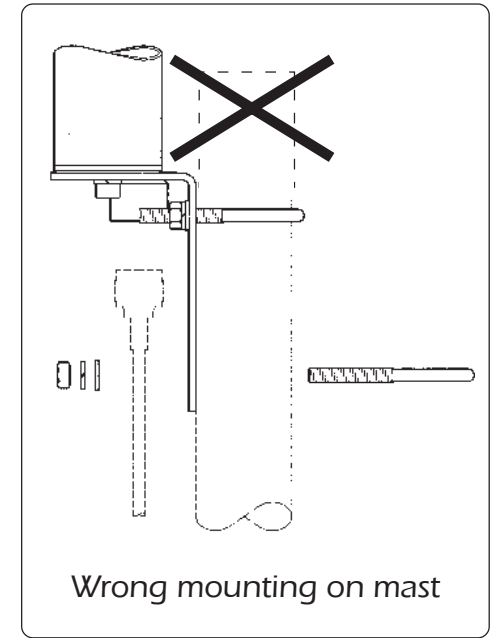
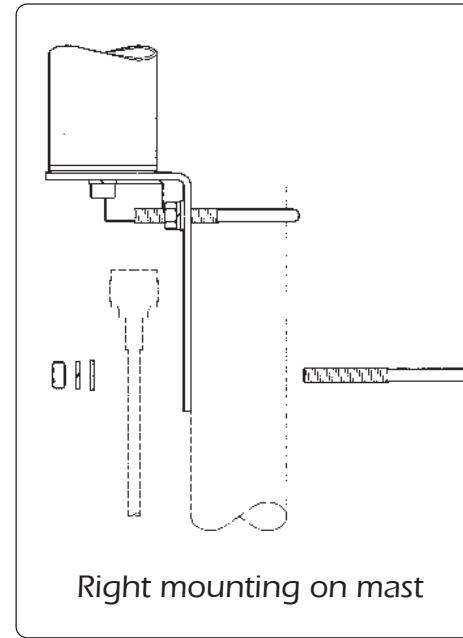
### Electrical Data

Type	: 3/4 $\lambda$ Coax. J-Pole
Frequency Range @ SWR $\leq$ 1.5	: CX 140 U/N 140 - 144 MHz
	: CX 144 U/N 144 - 148 MHz
	: CX 148 U/N 148 - 152 MHz
	: CX 152 U/N 152 - 156 MHz
	: CX 156 U/N 156 - 160 MHz
	: CX 160 U/N 160 - 164 MHz
	: CX 164 U/N 164 - 168 MHz
	: CX 168 U/N 168 - 172 MHz
	: CX 172 U/N 172 - 176 MHz
Impedance	: 50 $\Omega$ Unbalanced
Radiation (H-plane)	: 360° Omnidirectional
Radiation (E-plane)	: Beamwidth at -3 dB = 68°
Radiation angle deg.	: 0°
Polarization	: Vertical
Gain	: 2 dBd - 4.15 dBi
Bandwidth @ SWR 2.0	: CX 140 $\geq$ 6.9 MHz, CX 144 $\geq$ 7.2 MHz, CX 148 $\geq$ 7.5 MHz
	: CX 152 $\geq$ 7.7 MHz, CX 156 $\geq$ 8.0 MHz, CX 160 $\geq$ 8.3 MHz
	: CX 164 $\geq$ 8.3 MHz, CX 168 $\geq$ 8.9 MHz, CX 172 $\geq$ 9.2 MHz
SWR @ res. freq.	: $\leq$ 1.2
Max Power	: 250 Watts
Feed System / Position	: Gamma Match / Base
Connector	: CX series U: UHF-female
	: CX series N: N-female

### Mechanical Data

Materials	: Nylon, Brass, Steel, Aluminium
Wind Load / Resistance	: 51 N at 150 Km/h / 180 Km/h
Wind Surface	: 0.04 m <sup>2</sup>
Height (approx.)	: from 1370 mm to 1660 mm
Weight (approx.)	: 750 gr
Mounting Mast	: $\varnothing$ 35-42 mm

## MOUNTING INSTRUCTIONS



### HARDWARE PARTS LIST

Qty	Descriptions
n.2	U-bolts
n.4	M6 flat washer
n.4	M6 lock washer
n.4	M6 hex nut



**SIRIO**  
antenne

HI-QUALITY ANTENNAS MADE IN ITALY