



# YAGI 6 ELEMENTS UHF ANTENNA

400 ÷ 450 MHz

R-4.06.007.01

R-Y 611 NQ

POLOMARCONI.IT



POLOMARCONI offers a very wide range of wireless products. Our products can be tailored according to the customer's need.

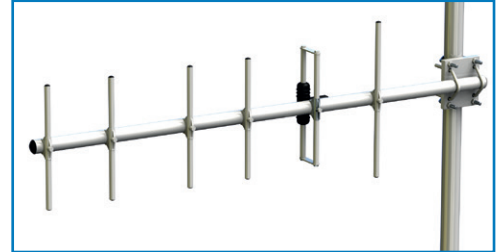
PMR

## Electrical Specifications

Frequency band (MHz)	400 ÷ 450
Impedance ( $\Omega$ )	50
VSWR at resonant frequency	< 1.5:1
Continuous Max. Power (W)	150
Polarization	vertical or horizontal
Gain (dBd)	8.5
HPBW ( $^{\circ}$ ) - E-plane	50
HPBW ( $^{\circ}$ ) - H-plane	60
Front to Back Ratio (dBd)	> 15
Operation Temp. Range ( $^{\circ}$ C)	-35 $^{\circ}$ ÷ +80 $^{\circ}$

## Mechanical Specifications

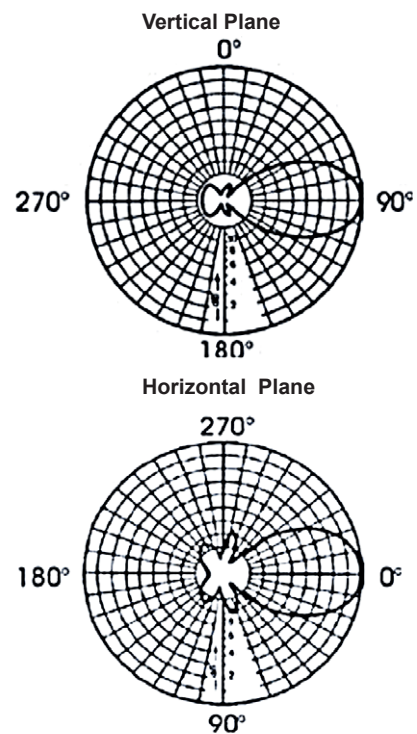
Connector	N f	
Dimensions (mm)	380 x 1215	
Weight (kg)	2.7	
Max. wind velocity (km/h)	160	
Materials	boom	Aluminum alloy DIN 3.2315
	elements	Aluminum alloy DIN 3.2306
Mounting mast tube $\varnothing$ (mm)	33 ÷ 60	



### DESCRIPTION:

Yagi 6 elements antenna for UHF band. All parts of the antenna are DC grounded from lightning protection.

## Radiation Patterns



BY



Made in Italy. We reserve the right to modify these data without any notice.